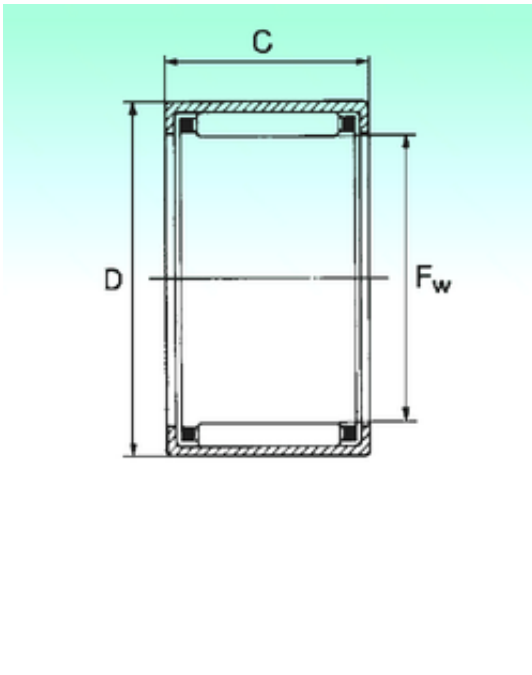




LYC BEARING CORP.OF German LTD.



HK 0810 Bearing 2D drawings and 3D CAD models

NBS HK 0810 needle roller bearings

Bearing No. HK 0810

Size	8x12x10 mm
Bore Diameter	8 mm
Outer Diameter	12 mm
Width	10 mm
Fw	8 mm
D	12 mm
C	10 mm
Weight	0,003 Kg
Basic dynamic load rating (C)	3,6 kN
Basic static load rating (C0)	3,75 kN