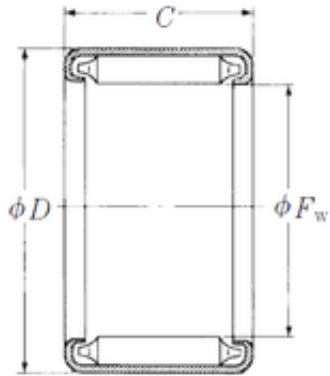




LYC BEARING CORP.OF German LTD.

NSK F-810 needle roller bearings



Bearing No. F-810

Size	8x12x10 mm
Bore Diameter	8 mm
Outer Diameter	12 mm
Width	10 mm
Fw	8 mm
D	12 mm
C	10 mm
Weight	0,0036 Kg
Basic dynamic load rating (C)	5 kN

F-810 Bearing 2D drawings and 3D CAD models