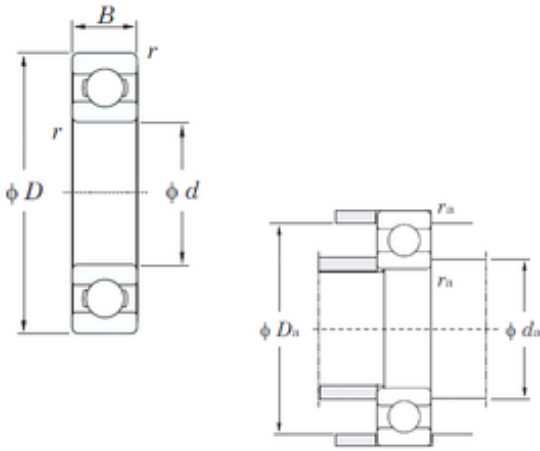




LYC BEARING CORP. OF German LTD.



Motorcycle Parts SKF Koyo 6204 Zz/2RS Deep Groove Ball Bearing

Bearing No. 6204

6204 Bearing 2D drawings and 3D CAD models

Size	20x47x14 mm
Bore Diameter	20 mm
Outer Diameter	47 mm
Width	14 mm
d	20 mm
D	47 mm
B	14 mm
C	14 mm
r min.	1 mm
da min.	25 mm
Da max.	42 mm
ra max.	1 mm
Weight	0,106 Kg
Basic dynamic load rating (C)	12,8 kN
Basic static load rating (C0)	6,65 kN
(Grease) Lubrication Speed	15000 r/min
(Oil) Lubrication Speed	17000 r/min
Category	Single Row Ball Bearings
Inventory	0.0
Manufacturer Name	KOYO
Minimum Buy Quantity	N/A
Weight / Kilogram	0.114
EAN	0605790058226
Product Group	B00308
Enclosure	Open



LYC BEARING CORP.OF German LTD.

Precision Class	ABEC 1 ISO P0
Maximum Capacity / Filling Slot	No
Rolling Element	Ball Bearing
Snap Ring	No
Internal Special Features	No
Cage Material	Steel
Internal Clearance	C0-Medium
Inch - Metric	Metric
Long Description	20MM Bore; 47MM Outside Diameter; 14MM Outer Race Diameter; Open; Ball Bearing; ABEC 1 ISO P0; No Filling Slot; No Snap Ring; No Internal Special Features
Category	Single Row Ball Bearing
UNSPSC	31171504
Harmonized Tariff Code	8482.10.50.68
Noun	Bearing
Keyword String	Ball
Manufacturer URL	http://www.koyousa.com
Manufacturer Item Number	6204
Weight / LBS	0.251
Bore	0.787 Inch 20 Millimeter
Outer Race Width	0.551 Inch 14 Millimeter
Outside Diameter	1.85 Inch 47 Millimeter
Bearing No.	6204
r(min)	1
Cr	16.0
C0r	6.65
Cu	0.510
f0	13.2
Grease lub.	15000



LYC BEARING CORP.OF German LTD.

Oil lub.	17000
da(min)	25
Da(max)	42
ra(max)	1
(Refer.)Mass(kg)	0.106